



# A&E Systems

When ordering spare parts always state:  
Model – Quantity – Part Number – Description

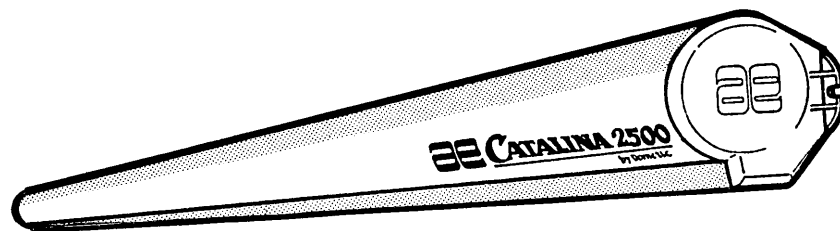
## 92500XX SERIES

**AE CATALINA 2500™**  
by Dometic

**USA**  
SERVICE OFFICE  
The Dometic Corp.  
509 So. Poplar St.  
LaGrange, IN 46761

**CANADA**  
Dometic Dist.  
866 Langs Dr.  
Cambridge, Ontario  
CANADA N3H 2N7

**For Service Center  
Assistance Call:**  
800-544-4881



For Model Number & Color Information — See Page 3

# PARTS LIST

**CATALINA  
2500  
MODEL**

### REVISION

Form No. 3102853.086 11/01  
(Replaces 3102853.078)  
©2001 Dometic Corporation  
LaGrange, IN 46761



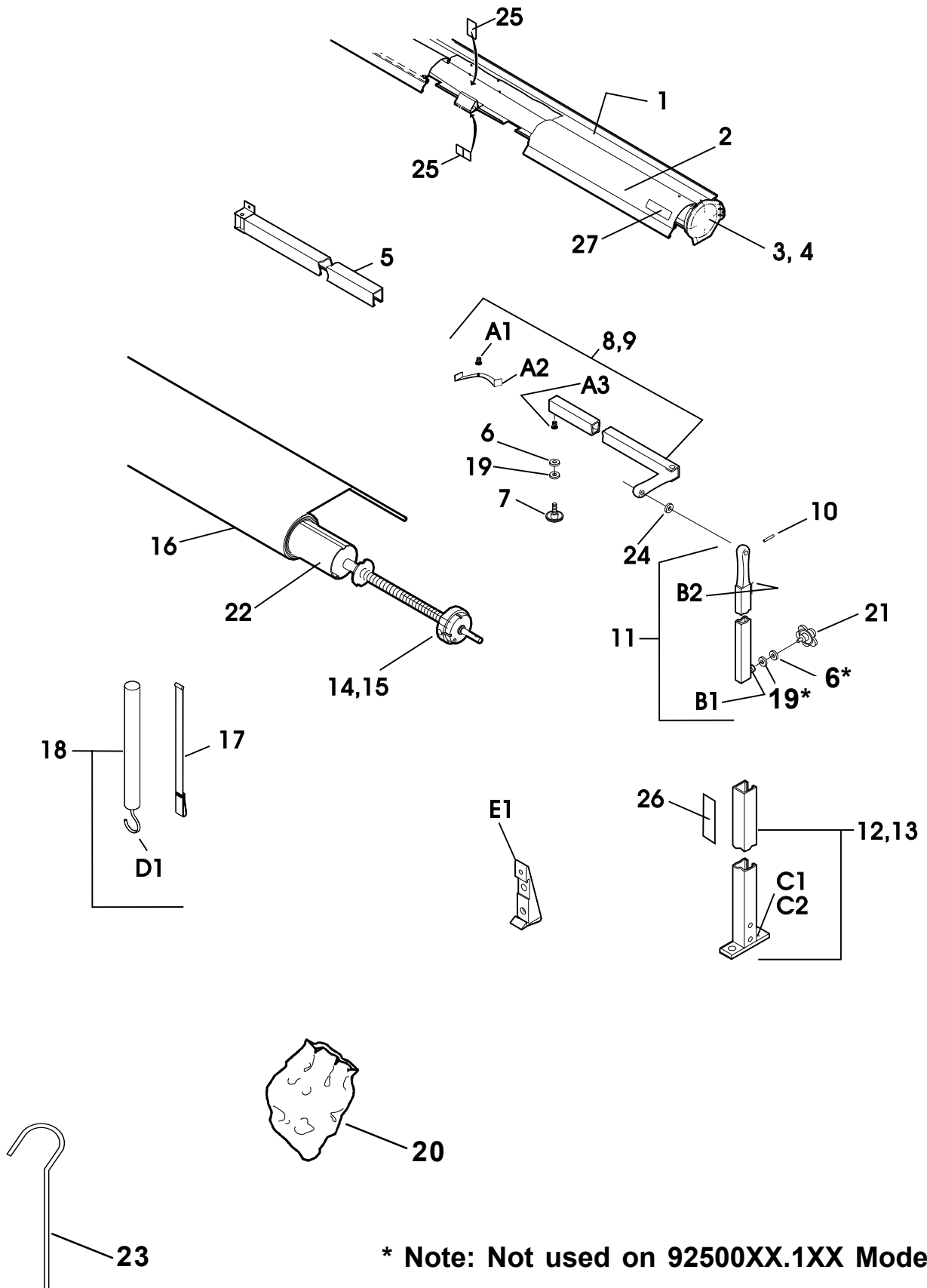
**COMPLETE AWNING MODEL NUMBERS**

(Part No.)	(Meters)	(Feet)	(Product No.)
92500(XX).025	2.5	8'3"	958300559
92500(XX).030	3.0	9'10"	958300560
92500(XX).035	3.5	11'6"	958300561
92500(XX).040	4.0	13'2"	958300562
92500(XX).125	2.5	8'3"	958300909
92500(XX).130	3.0	9'10"	958300910
92500(XX).135	3.5	11'6"	958300911
92500(XX).140	4.0	13'2"	958300912

\* Replace (X) with color code from above

**COLOR CODE CHART**

Letter Code	Color
AA	Emerald Jade
AB	Emerald Frost
AM	Periwinkle Blue
AV	Polar Blue
AW	Polar Burgundy
AX	Polar Periwinkle
BA	Tapestry Rose
BU	Polar Navy Teal
BV	Polar Blue Lavender
BW	Polar Aqua Blue
BX	Polar Mauve
BY	Polar Black & Gray
DX	Gulf Blue
DY	Alpine Green
DZ	Burgundy Rose
EA	Fawn
EB	Orchid
EH	Pewter
ET	Navy Taupe
EV	Moss
G	Burgundy
H	Blue
J	Green
L	Cinnamon
N	Black/Gray
P	Coffee
Q	Burgundy Blue



**\* Note: Not used on 92500XX.1XX Models**

Item	Part No.	A	B	Description
1	720008.025	A	-	Main Housing - 2.5 Meters
	720008.225	-	B	Main Housing - 2.5 Meters
	720008.030	A	-	Main Housing - 3.0 Meters
	720008.230	-	B	Main Housing - 3.0 Meters
	720008.035	A	-	Main Housing - 3.5 Meters
	720008.235	-	B	Main Housing - 3.5 Meters
	720008.040	A	-	Main Housing - 4.0 Meters
	720008.240	-	B	Main Housing - 4.0 Meters
2	720007.025	A	B	Cover - 2.5 Meters
	720007.030	A	B	Cover - 3.0 Meters
	720007.035	A	B	Cover - 3.5 Meters
	720007.040	A	B	Cover - 4.0 Meters
3	720012.001	A	B	Cap, end RH
4	720012.002	A	B	Cap, end LH
5	820023.101	A	B	Rafter Asm., Outer - 2.5 Meters
	820023.102	A	B	Rafter Asm., Outer - 3.0-4.0 Meters
6	113278	A	-	Washer, Blk Nylon 1 x 301 x 1/8 (4 req.)
		-	B	Washer, Blk Nylon 1 x 301 x 1/8 (2 req.)
7	143063	A	-	Knob, Lock (4 req.)
	143063	-	B	Knob, Lock (2 req.)
8	820022.101	A	B	Rafter Asm., Inner, RH 2.5 Meters
	820022.102	A	B	Rafter Asm., Inner, RH 3.0/4.0 Meters
A1	930022	A	B	Nutsert Kit
A2	720015	A	B	Spring
A3	3109089.007	A	B	Button
9	820022.201	A	B	Rafter Asm., Inner, RH 2.5 Meters
	820022.202	A	B	Rafter Asm., Inner, LH 3.0/4.0 Meters
A1	930022	A	B	Nutsert
A2	720015	A	B	Spring
A3	143241	A	B	Button
10	3103608.000	A	B	Pin Groove 1/8 x 5/8 (2 req.)
11	820025.001	A	B	Arm asm, Inner - 2.5 Meters (2 req.)
	820025.002	A	B	Arm Asm, Inner - 3.0/4.0 Meter (2 req.)
B1	930022	A	B	Nutsert
B2	730486	A	B	Lock Tab
12	820026.001	A	B	Arm Asm., Outer, RH - 2.5 Meters
	820026.002	A	B	Arm Asm., Outer, RH - 3.0/4.0 Meters
C1	720013	A	B	Spring Compression
C2	720001.001	A	B	Foot
13	820026.101	A	B	Arm Asm., Outer, LH - 2.5 Meters
	820026.102	A	B	Arm Asm., Outer, LH - 3.0/4.0 Meters
C1	720013	A	B	Spring Compression
C2	720001.001	A	B	Foot
14	820020.001	A	B	Torsion Asm., RH
15	820020.002	A	B	Torsion Asm., LH
16	R82001(X).025	A	B	Fabric, 2.5 Meter
	R82001(X).030	A	B	Fabric, 3.0 Meter
	R82001(X).035	A	B	Fabric, 3.5 Meter
	R82001(X).040	A	B	Fabric, 4.0 Meter
17	3109799.027	A	B	Pull Strap - 2.5 Meters
	3109799.043	A	B	Pull Strap - 3.0/4.0 Meters
18	820021	A	B	Wand Asm.
D1	143309	A	B	Closure, Blk Vinyl
19	309513.036	A	-	Washer, Stainless Steel (4 req.)
		-	B	Washer, Stainless Steel (2 req.)
20	820029	A	B	Hardware Bag
E1	720014	A	B	Bracket Asm. (2 req.)
E2	3105445.013	A	B	Screw (2 req.)
E3	3105445.021	A	B	Screw (2 req.)
E4	113029	A	B	Screw (2 req.)
E5	3105445.005	A	B	Screw (4 req.)
21	See Index #7	A	-	Knob, Lock
	3105421.014	-	B	Knob, 5-Point (2 req.)
22	3108700.166	A	B	Roller Tube - 2.5 Meters
	3108701.354	A	B	Roller Tube - 3.0 - 4.0 Meters
23	3104257.005	A	B	Stake, Tent (4 req.)
24	309513.043	A	B	Washer, Nylon (2 req.)

**NOTE: The replacement fabrics are rolled and shipped in tubes. For boxed fabric, replace the letter "R" with the letter "B".**

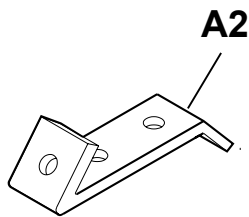
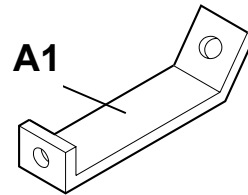
Available colors insert letter code in (X) from color chart.

**SHELF LIFE FOR BOXED FABRIC IS TEN DAYS**

# CUSTOMER ACCESSORIES

## 3103719.005 VAN ADAPTER KIT

Index No.	Part No.	Description
A1	730182	Brace, rear/bottom support (2 req.)
A2	730183	Brace, upright support (2 req.)



## 930035 VAN ADAPTER KIT

Index No.	Part No.	Description
B1	730426.001	Bracket, std. van (3 req.)
B2	730289	Clamp, pressure (3 req.)
B3	730419.100	Clamp, pressure (3 req.)
B4	730189	Cap, pressure clamp (3 req.)
B5	111008	Nut - tee (3 req.)

